

HOFMANN®



monty 1575

Spare Parts List

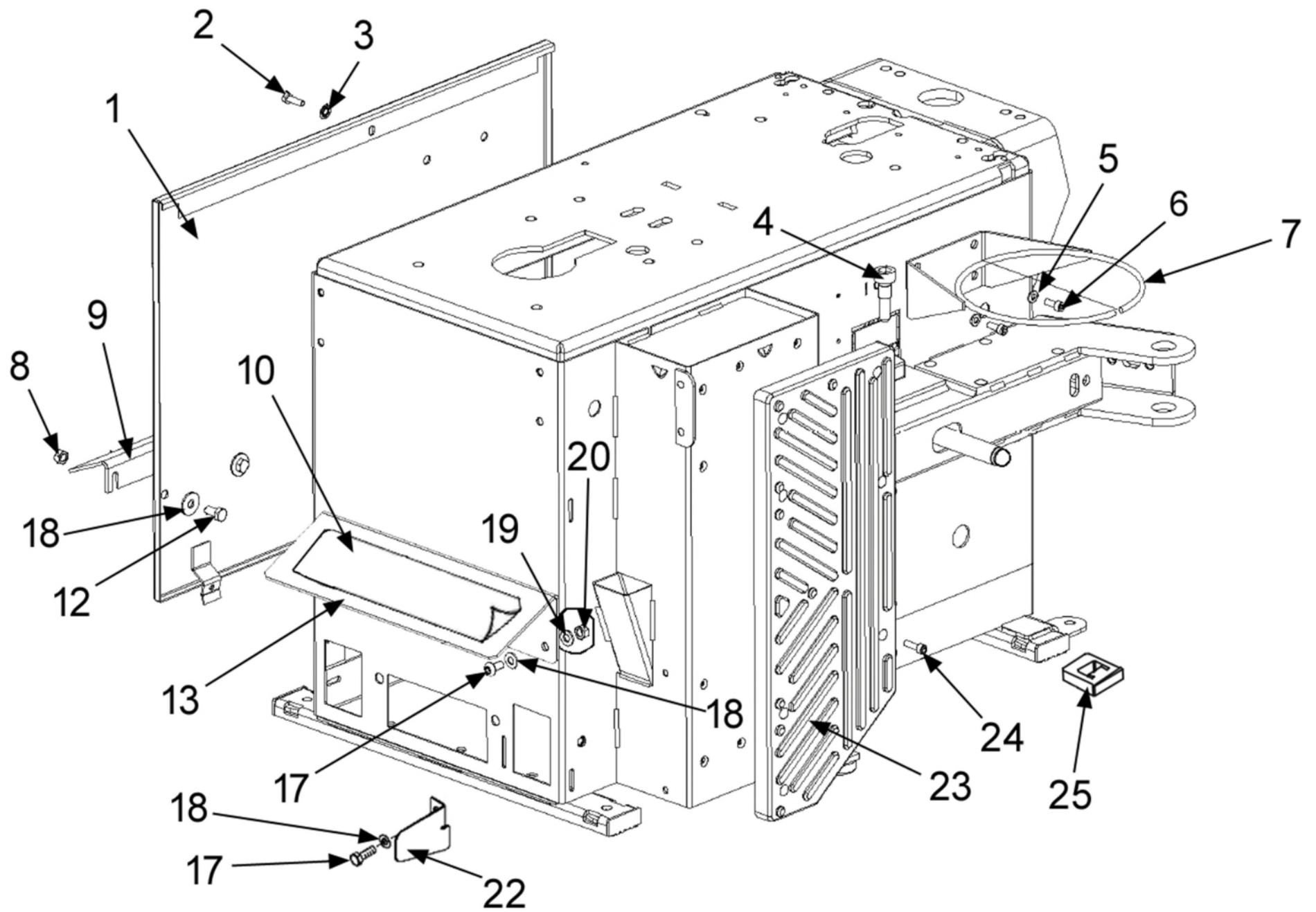
Produced from 2012 to present



BOM Monty1575B Monty 1575

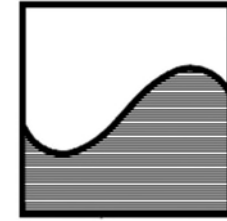
Part Number	Quantity	Description
EAA0270J30A	1	Tire Changer Assy - Monty 1575B
ZEEWH741B9	1	Lit Pack - Monty 1575
EAC0097G47A	1	Wave Tire Mounting Lever
EAC0113G61A	5	Rim Protector Plastic
EAC0078G13A	5	Back Plastic Rim Protector
EAK0329G86A	1	Lightalloy Rim Protector Front Only
8-03229A	1	Lubricant - Tire Mounting 75N
5-14126A	1	Brush Tire Lube Applicator
4027094	1	Holder Lube Bottle
01267267000	1	Wire Dauber
00066006000	1	Bottle - Lube
16511	1	Label - Danger
24212	1	Placard Danger TC English Spanish
25701	1	Label - No Adjust
EAC0100G55A	3	Label Sealing Hole
EAL0383G01A	1	Rotation Direction Label
EAL0383G10A	1	Label Hofmann
EAL0383G30A	1	Label (B) - 19868
EAL0383G31A	1	Label Danger
EAL0383G32A	1	Label Danger
EAL0383G34A	1	Label Danger
EAL0395G89A	2	Decal Hofmann
EAL0408G12A	1	Label Patents
EAL0408G18A	1	Sticker - Max Pressure (B)

Part Number	Quantity	Description
EAL0408G24A	1	Label Oil
EAL0408G25A	1	Label Pressure Min Max
EAL0408G78A	1	Lable Protective Device
EAL0412G13A	1	Stickers Pedal
EAL0413G31A	1	Label Ground
EAL0413G34A	1	Label Inflator
EAL0413G83A	1	Label Monty 1575
EAL0462G12A	1	Label Danger Peligro 23179
EAL0462G74A	1	Label Danger 16510
EAL0467G25A	1	Decal Drain Water
EAL0467G92A	1	Decal TC Lever Warning



EAL0383G10A

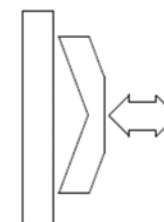
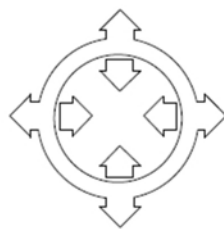
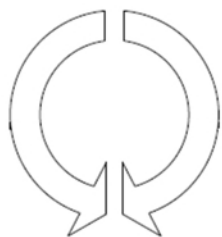
HOFMANN®



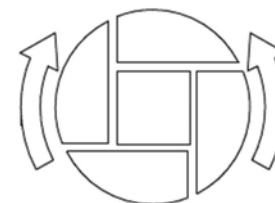
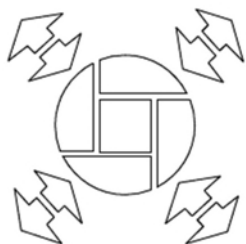
EAL0413G83A

monty
1575

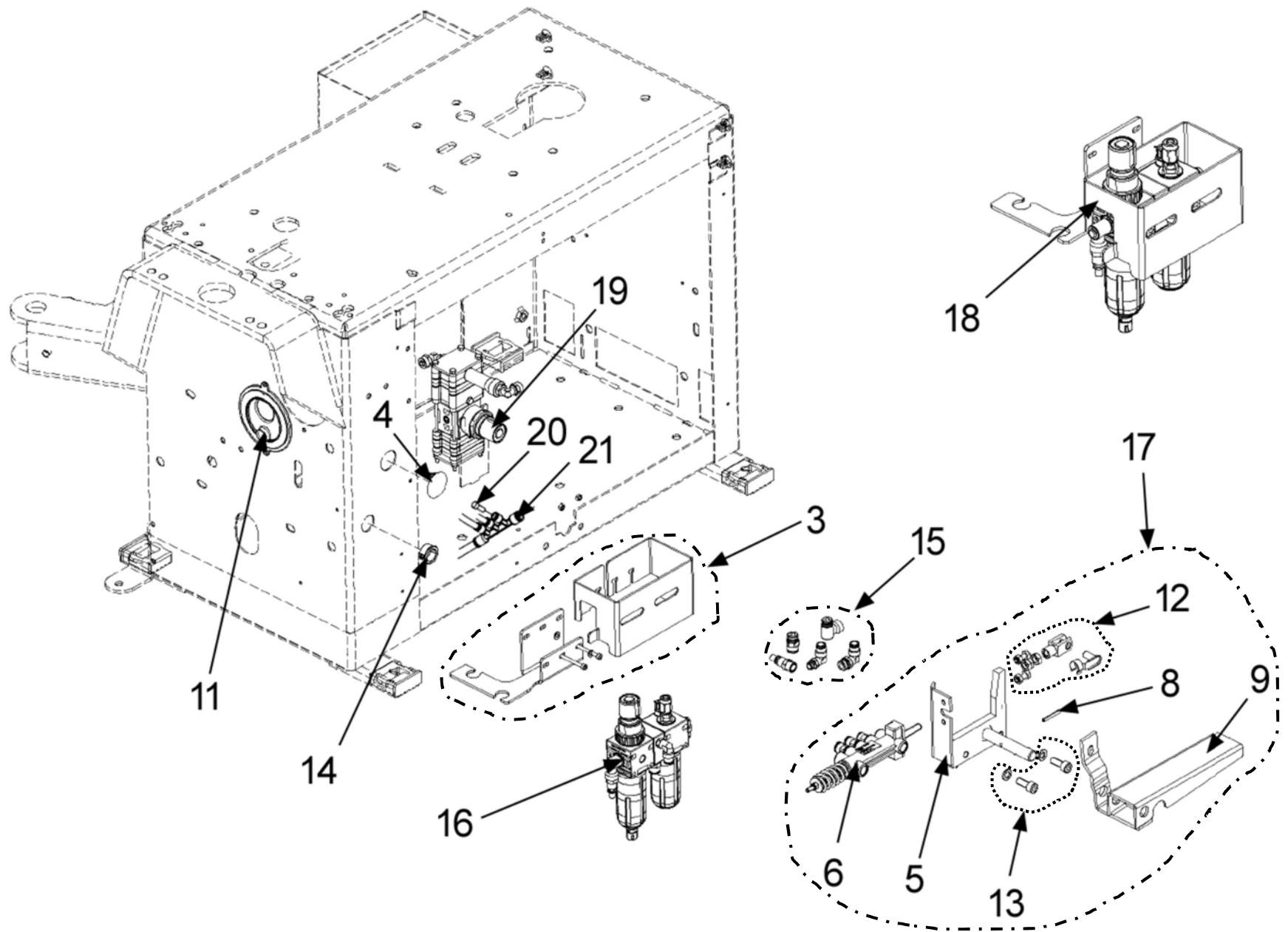
Item # 10 - 27091 Pedal Sticker With Switch on Left side of Pedal Assembly



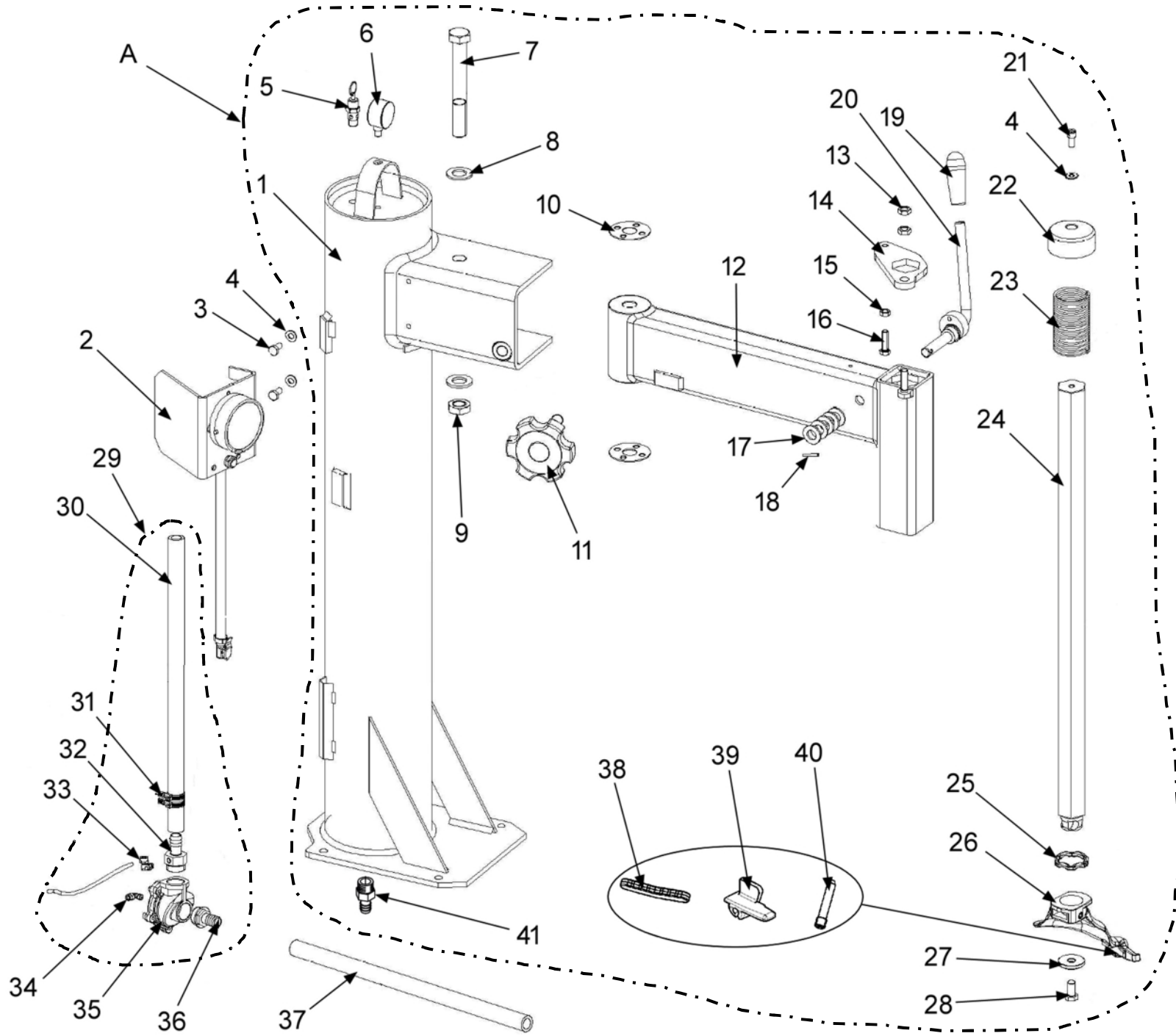
Item # 10 - EAL0412G13A Pedal Sticker With Switch on Right side of Pedal Assembly



Ref	Qty	Part Number	Description	
1	1	EAS2029J62A	Black Side Panel	EAS2126G60A
2	1	1-30901A2	Screw 6 x 20 Hex Head	
3	1	1-1548	Washer - Lock D 6	
4	2	EAM0067G34A	Screw, Fitting - Cylinder B/Break	
5	2	1-9841	Washer, Plain D 6 Zinc.	
6	2	1-16409A	Screw 6 x 20	
7	1	EAA0349G76A	Ring - Box, Grease	
8	2	1-11733A	Nut M8 Black	
9	1	EAS2115G83A	Protector, Pedal	
12	2	1-32601	Screw M8 x 20	
13	1	EAS2115G04A	Pedal Protection	EAC0114G09A
17	3	1-32701	Screw - M8 x 25 mm Hex Head	
18	5	1-10041	Washer, Plain M8	
19	2	1-3048	Lock Washer	
20	2	1-15933A	Nut Hex M8 - 1.25 mm	
22	1	EAS2100G95A	Pedal - Reverser Protection	
23	1	EAC0099G22A	Pad - Support, Bead Breaker	
24	7	1-09624A	Screw M6 x 20	
25	4	EAC0097G52A	Foot Square	



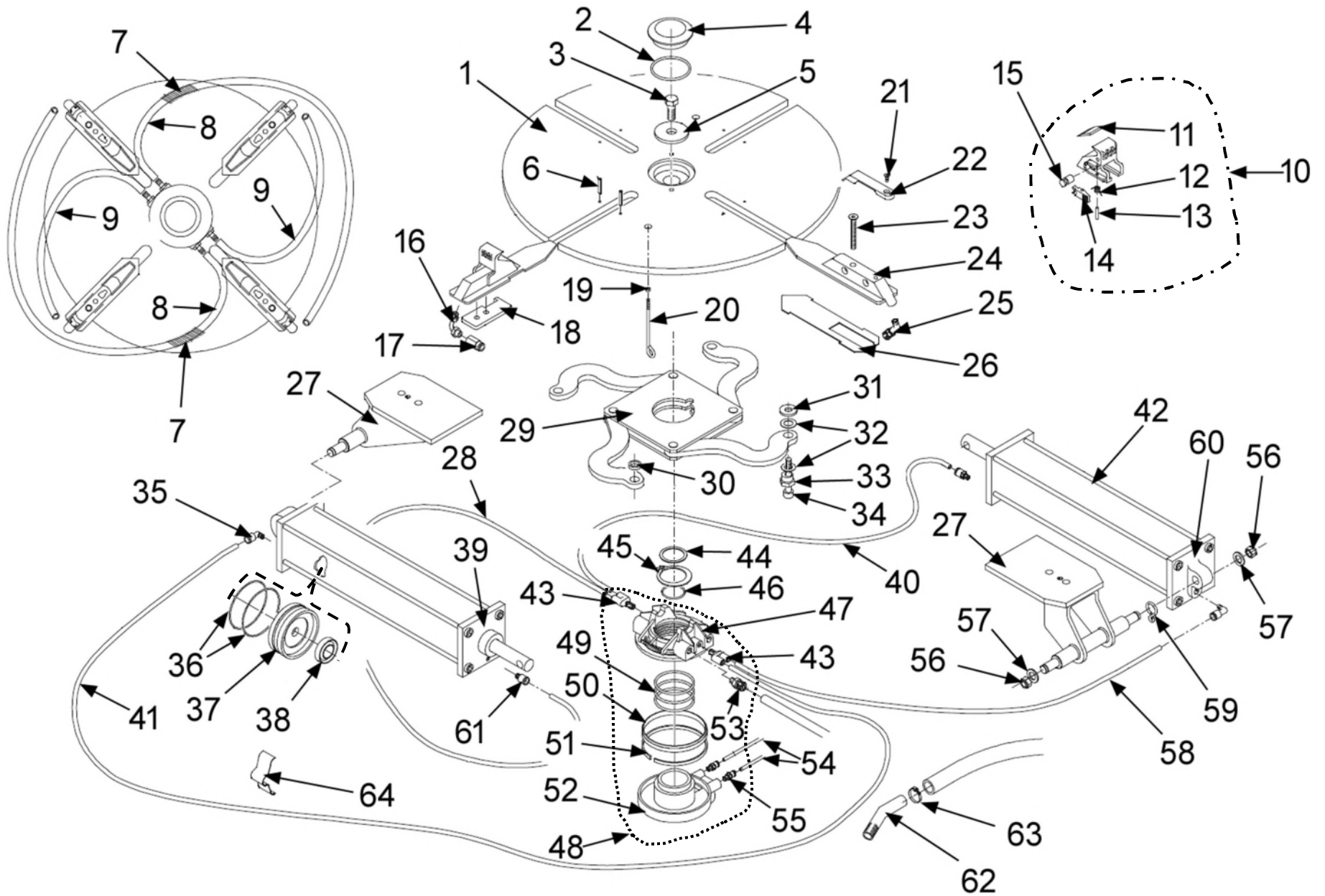
Ref	Qty	Part Number	Description	
3	1	EAK0330G49A	NA Lubricator Filter Fixing Kit	
4	1	1-08676A	Cap, Closing	
5	1	EAS2134G52A	GT Pedal Support	
6	1	ST4029115	Valve, Bead Inflating	EAA0329G75A
8	1	ST7023119	Pin - Straight Slotted 4 x 30	1-6652
9	1	ST4029114	Inflator Pedal Cataphor	EAS2068G87A
11	1	EAC0100G22A	Cable Protection	
12	1	EAK0306G32A	Screws And Bolts For GT Valve	
13	1	EAK0306G33A	Screws And Bolts For GT Pedal	
14	1	8-11616A	Snap Bushing	
15	1	EAK0315G99A	Fittings Kit For Filter	
16	1	EAA0439G90A	Filter - Pressure Regulator	
17	1	EAA0384G14A	Group, Bead Inflating Pedal	
18	1	EAA0489G30A	Lubricator Filter Group	
19	1	EAA0384G22A	Valve, Air Control	
20	1	1-09176A	Cap, Fitting D 6	
21	1	1-12379A	Multi - Tee 08-06	



Ref	Qty	Part Number	Description	
A	1	EAA0270J42A	TC Tower Air Assy	
1	1	EAS2141J15A	Tower	
2	1	EAA0332G46A	Assy, Gauge - Pressure	
3	2	1-32501A	Screw 8 x 16 8G	
4	3	1-10041	Washer, Plain M8	
5	1	1-31381A	Valve, Asme Safety, 1/4" Bspt	
6	1	8-06120A	Manometer - Radial 0-16 D 40	
7	1	EAM0067G25A	Screw, Swing Arm Support	
8	2	1-10641	Washer	
9	1	1-21633A	Nut	
10	2	EAM0067G29A	Washer - Adjustment	
11	1	EAA0270J79A	Screw - Arm, Swing - Register	EAC0097G55A
12	1	EAM0010J39A	Swing Arm	
13	2	1-19633B	Nut - M10 6S	
14	1	EAM0010J43A	Locking Lever	
15	1	1-15933A	Nut Hex M8 - 1.25	
16	1	EAM0067G26A	Screw, Adjustment - Rod	
17	5	1-10341	Washer - D.14	
18	1	1-6452	Pin, Straight Slotted	
19	1	EAC0078G04A	Handle - Rubber	
20	1	EAS2108G36A	Lever, Register	

Ref	Qty	Part Number	Description	
21	1	1-17609A	Screw, 8 x 16 8.8	
22	1	EAM0140G92A	Cover For Hex Bar	
23	1	EAM0055G22A	Spring, Recall - Tower, Vertical	25457
24	1	EAM0046G11A	Axel Verticale Ch. 38	24905
25	1	EAC0094G01A	Shock Absorber - Rod	
26	1	EAA0329G95A	Mounting / Demounting Tool	
27	1	EAM0032G02A	Washer - Tool Clamping	
28	1	1-44901A	Screw	
29	1	EAA0351G06A	Kit Valve Pneumatic	
30	mr	2072705	Hose, Air - High Pressure	sold by the meter
31	4	EAM0075G29A	Clip, Locking - Hose	
32	1	15658	Fitting, Rub. Holder 1" Long	
33	1	1-17279A	Fitting "L" 6 x 8 1/8	
34	1	1-17179A	Elbow Fitting "L" 4 x 6 1/4"	
35	1	1-29581A	Valve, Air - Controlled	
36	1	EAM0071G99A	Fitting, Support M1" - 20	
37	mr	2072705	Hose, Air sold by the meter	
38*	1	EAC0078G13A	Back Plastic Rim Protection	
39*	1	EAC0113G61A	Plastic Rim Protection	
40*	1	EAM0043G53A	Pin M5 Hexagonal Socket	
41	1	1-41880A	3/4" Male NPT to 3/4" Hose Barb	
* Note - Included with EAA0329G95A item #26				

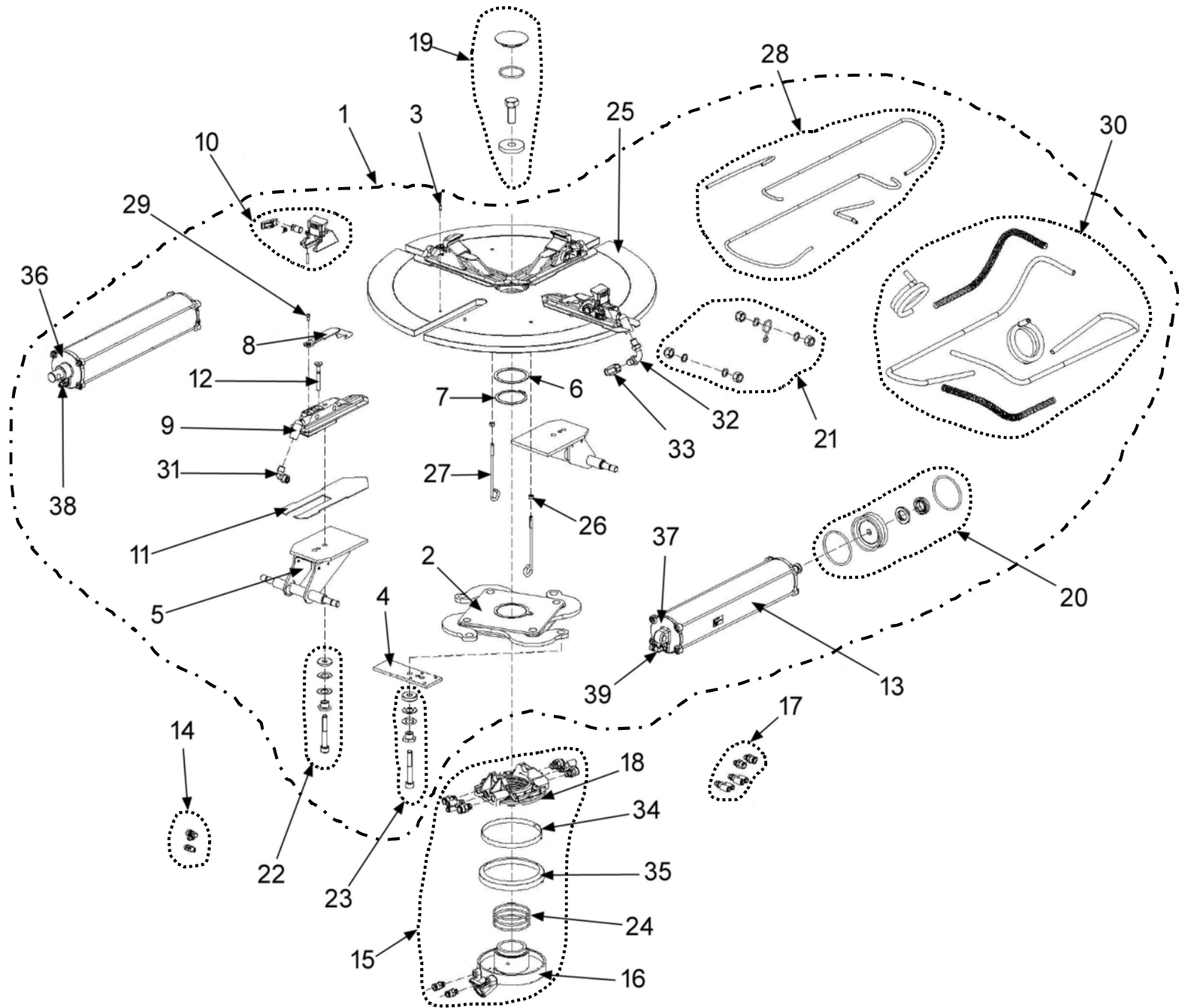
EAA0371G02A Turntable used from February 2012 (T51BFxxx) to May 2016 (T51EKxxx)



Ref	Qty	Part Number	Description	
1	1	ST4022157	Plate - Turntable, Central 20"	EAS2092G30A
2	1	8-11714A	Gasket O-Ring 46.4 x 3.53	
3	1	1-51101A	Screw 16 x 1.5 x 40	
4	1	EAC0087G47A	Protection - Turntable	ST0005678
5	1	EAS2092G32A	Washer	
6	8	1-5652	Pin - Split 4 x 10	
7	2	EAM0154G76A	Spring - Protection, Air Hoses	0024926
8	mr	2618002	Hose - Air 8 x 10 (sold by the meter)	0022835
9	2	ST0026904	Pipe, Spiral Black 6.5 x 10 x 2.5	0026904
10	4	ST4028811	Sliding Jaw Complete	EAA0350G20A
11	4	EAC0087G48A	Protection, Rims	
12	4	ST0025676	Spring for Sliding Lever	EAM0075G05A
13	4	1-19252A	Clip D 4 x 22	1-21352A
14	4	ST0025678	Lever, Sliding Clamping - Machined	EAM0075G07A
15	4	ST0025677	Pin, Sliding Clamping	EAM0075G06A
16	2	EAM0051G83A	Pipe For Terminal GT	
17	2	1-14479A	Fitting, Swift 8 x 10 1/4"	
18	2	EAM0043G49A	Plate, Register - Clamp	
19	1	ST7020412	Nut M6	7020412
20	1	EAM0051G90A	Support, Pipe GT	
21	4	1-36109A2	Screw 5 x 10	
22	4	EAC0099G90A	Protection Jaws	
23	4	1-24603A	Screw M8 x 60	
24	4	ST0029472	Clamp, Sliding W/Center 26"	EAM0075G00A
25	2	1-14379A	Fitting 90 Deg 1/4 8 x 10	
26	4	EAM0051G00A	Guide Terminals, Center	
27	2	EAA0377G79A	Bracket Cylinders	
28	mr	5-06435A	Hose 4 x 6 (sold by the meter)	EAM0069G99A
29	1	EAA0338G71A	Clamp Actioning Plate	
30	2	EAM0051G75A	Sliding Rod Spacer	
31	2	EAM0051G76A	Washer 10 x 30 x 3	
32	8	EAM0051G74A	Washer 30 x 17 x 0.3	
33	4	EAM0043G19A	Eccentric For Sliding Rod	
34	4	1-54409A	Screw 10 x 50	

Ref	Qty	Part Number	Description	
35	2	ST0005140	Elbow Fitting 1/8" 4 x 6 (Push in lock)	1-10879A
36	4	ST0001682	Seal O-Ring D 75	8-11614A
37	2	ST0015200	Double Seal D 75	EAC0087G45A
38	2	8-15914A	Lip Seal	
39	2	0031384	Machined Front Flange	
40	mr	5-06435A	Hose 4 x 6 (sold by the meter)	EAM0070G00A
41	mr	5-06435A	Hose 4 x 6 (sold by the meter)	EAM0070G01A
42	2	ST4026768	Cylinder Square Section	EAA0344G17A
43	2	ST0019849	Y Fitting 1/8" 4 x 6	1-13579A
44	1	EAM0051G85A	Support, Ring	
45	1	1-18677A	Ring, Stop D 60	
46	1	8-10714A	Seal O-Ring D 50	
47	1	ST4015870	Ring, Outer Manifold	EAA0338G76A
48	1	EAA0304G69A	Revolving Manifold GT	
49	3	ST0013161	Seal O-Ring D 69.44 x 3.53	8-10814A
50	1	EAC0087G50A	Front Gasket	
51	1	ST0015617	Gasket Seal Spring	EAA0338G77A
52	1	ST4013171	Ring - Inside, with Supports	EAA0338G27A
53	4	ST0022175	Fitting, Quick - Hose 10 1/4	1-14679A
54	mr	5-06335A	Hose - Air 6 x 8 (sold by the meter)	25023
55	2	ST0001924	Fitting 1/8" 6 x 8	1-11379A
56	4	1-19933A	Nut - Lock M12	
57	4	1-24641A	Washer D 12 x 18 x 1	
58	mr	5-06435A	Hose 4 x 6 (sold by the meter)	EAM0070G02A
59	1	EAM0051G88A	Hook For Air - Hose	
60	2	0031385	Rear Flange	
61	2	ST0001923	Straight Fitting 1/8" 4 x 6 (Push in lock)	1-11579A
62	1	4019342	Hose, Connection - Rubber	
63	1	EAM0075G29A	Clip, Locking - Hose	
64	2	EAM0046G21A	Spring for Pipe Coupling	
65	2	ST0019653	Front Cylinder Flange	
66	2	EAA0338G74A	Self Centering Cylinder 20"	
67	2	ST0019652	Rear Cylinder Flange	
68	2	ST0001683	Lip Seal	8-09614A

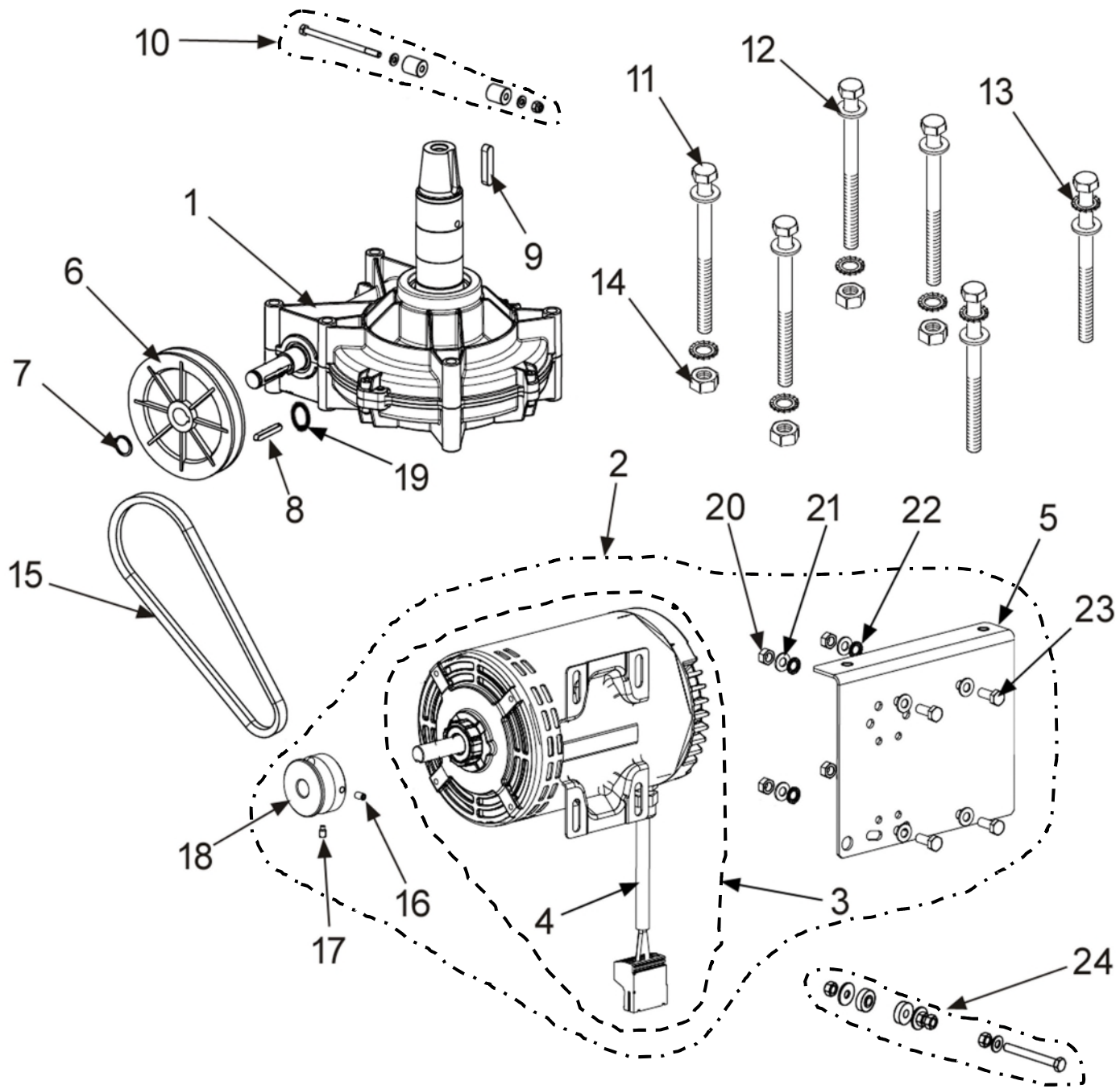
Turntable used from May 2017 (T51ELxxx) to Present



Ref	Qty	Part Number	Description	
1	1	EAA0409G85A	Turntable 24" Center Type No Gt	EAA0489G97A
2	1	EAA0351G73A	Clamp Actioning Plate	EAA0489G39A
3	8	1-25952A	Pin Dowel 5 x 10 Uni En 28734	
4	2	EAM0043G49A	Plate, Register - Clamp	
5	2	EAA0377G79A	Bracket Cylinders	
6	1	EAM0051G85A	Support, Ring	
7	1	1-18677A	Ring - Stop D 60	
8	4	EAC0099G90A	Protection Jaws New	
9	4	ST0029428	Clamp, Sliding W/Centre 20"	EAM0075G00A
10	4	EAA0408G23A	Assembled Sliding Jaw C/Type V2	
11	4	EAM0051G00A	Sliding Clamp Guide	EAS2201G51A
12	4	1-24603A	Screw Tsei 8 x 60 12.9	
13	2	EAA0410G31A	Cylinder, Turntable	
14	1	EAK0330G35A	Tt Cylinder Fittings Kit	
15	1	EAA0304G69A	Revolving Manifold, Tubeless Inflator	
16	1	EAA0338G27A	Ring - Inside, With Supports	
17	1	EAK0330G28A	Revolving Manifold Fittings Kit	
18	1	EAA0338G76A	Ring, Outer - Manifold	
19	1	EAK0306G25A	Turntable Fixing Kit	

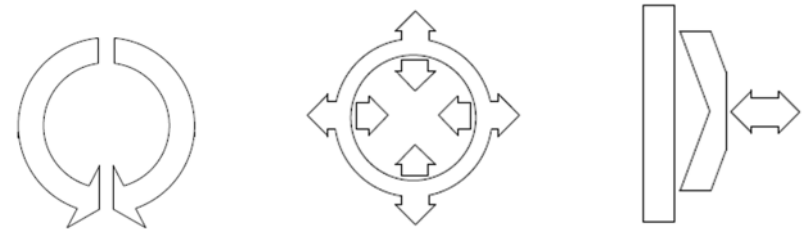
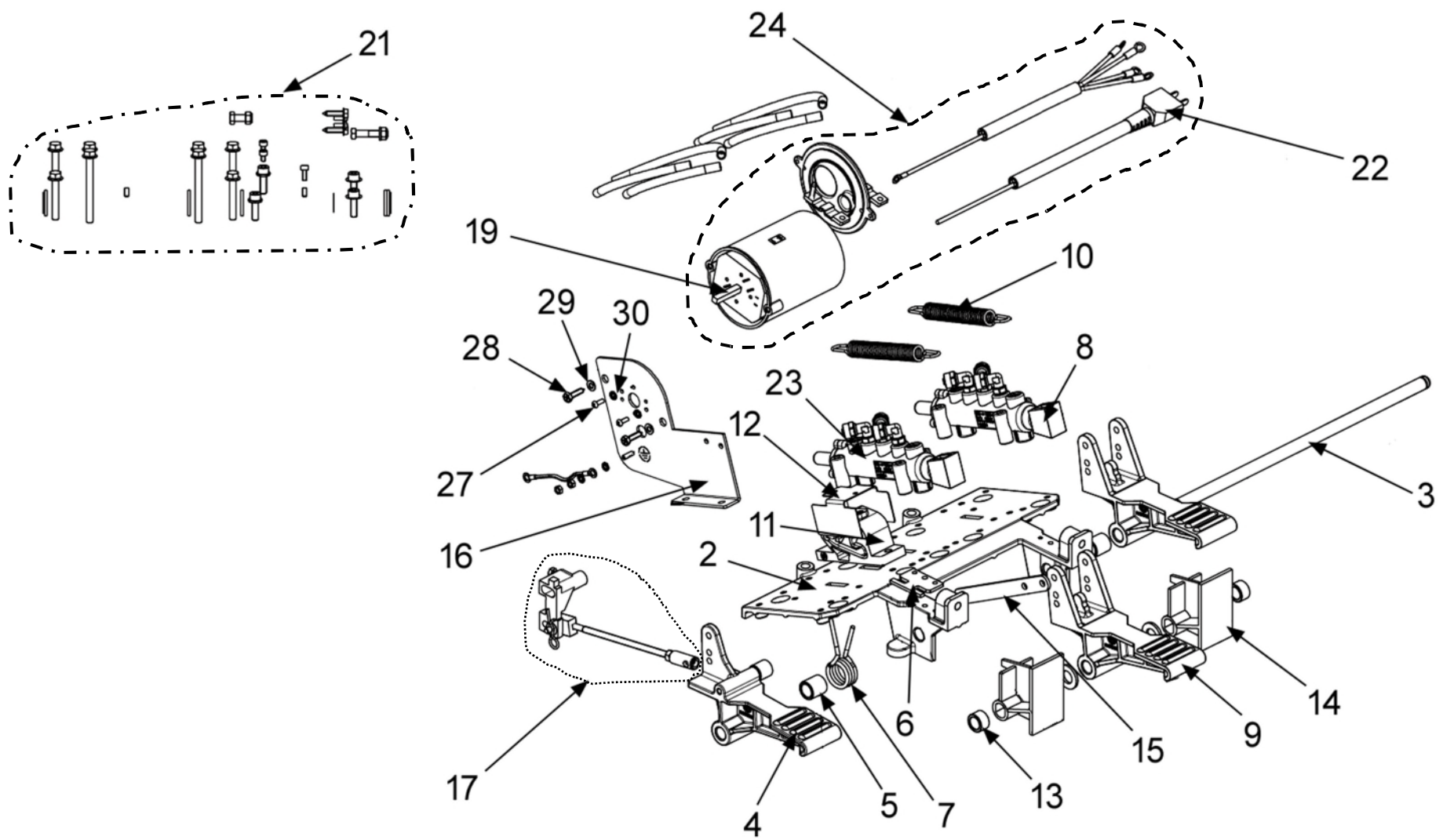
Ref	Qty	Part Number	Description	
20	2	EAK0317G36A	Seal For Round Cylinder	
21	1	EAK0306G27A	Screws And Bolts For Turntable Cyl.	
22	2	EAK0329G89A	Screws And Bolts For Clamps	
23	2	EAK0329G88A	Screws And Bolts With Eccentric	
24	3	ST0013161	Seal O-Ring D 69.44 x 3.53	8-10814A
25	1	EAS2153G40A	Turntable Flange, C/Type	EAA0481G73A
26	2	1-11633A	Nut - Hex M6 6S	
27	2	EAM0051G90A	Support, Pipe Gt (White Galvan.)	
28	1	EAK0341G62A	Turntables Hoses Kit	
29	4	1-36109A2	Screw 5 x 10	
30	1	EAK0341G63A	Turntable Hoses Kit For Gt	
31	2	1-14379A	Fitting - 90 Deg L 1/4 8 x 10	
32	2	EAM0051G83A	Pipe For Terminal Gt	
33	2	1-27379A	Fitting, Swift F 8 x 10 1/4"	1-14479A
34	1	EAA0338G77A	Spring, Joint Sealing	
35	1	EAC0087G50A	Seal Tubeless Inflator - Front Joint	
36	2	ST0019653	Front Cylinder Flange, Shaft end	
37	2	ST0019652	Rear Cylinder Flange	
38	2	ST0001368	Straight Fitting 4 x 6 mm 1/8" (Nut & Ferrule)	1-27179A
39	2	1-18879A	Elbow Fitting 4 x 6 mm 1/8" (Nut & Ferrule)	

From 08/2022 (T51HRxxx)

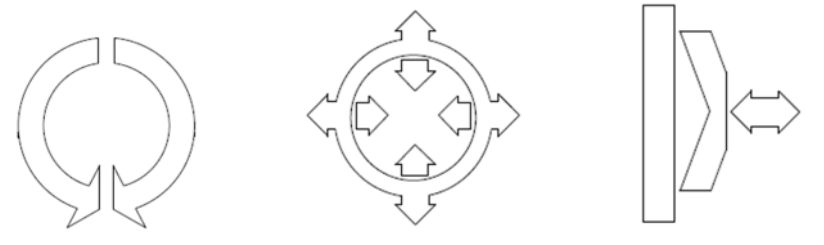
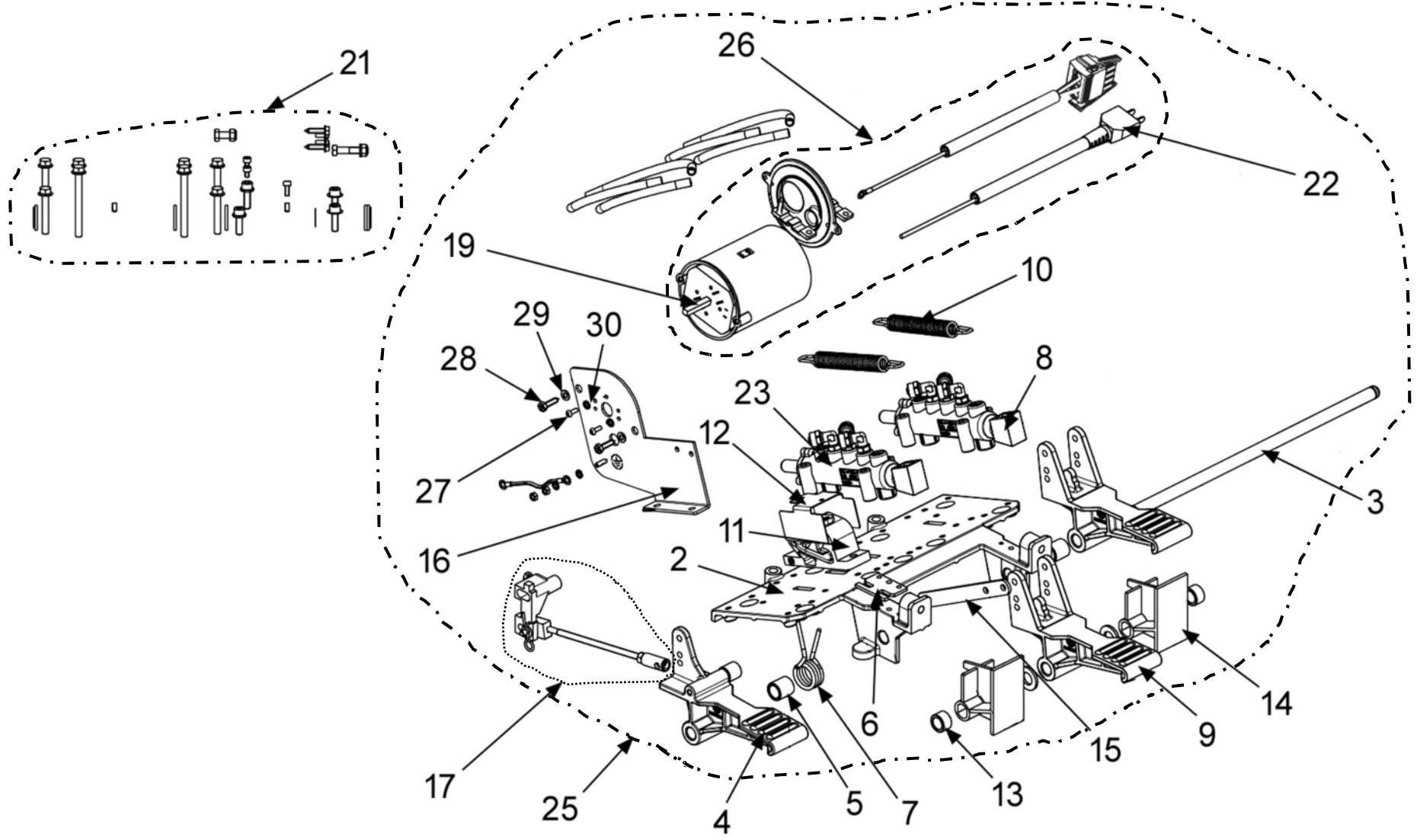


Ref	Qty	Part Number	Description	
1	1	EAA0382G23A	Gearbox	
2	1	EAA0534G65A	1PH 115V Right Motor Assembly	
3	1	EAA0534G62A	1 Phase US Motor & Cable Assembly	
If machine has a Leeson Motor (Made up to July 2022 T55GRxxx) then EAA0534G65A would need to be ordered which is the Nidec Motor, cable and plate.				
4	1	EAW0277G10A	115V Motor Cable	
5	1	EAS2131G28A	Support - Motor	
6	1	EAC0096G37A	Pulley 1 Groove	EAM0125G94A
7	1	1-18577A	Ring Snap Shaft D 19	
8	1	1-772	Key 6 x 6 x 40	
9	1	1-1572	Key 10 x 8 x 45	
10	1	EAK0279G67A	Antirotaion Kit	
11	6	1-50401A	Screw M10 x 160	
12	6	1-10141A1	Washer D 10	
13	6	13148	Washer M10 Ext Shakeproof	
14	4	1-15433	Nut M10	
15	1	EAC0078G58A	Belt V A26	
16	1	1-48910A	Screw STEI 6 x 10 - Plane 12K Br	
17	1	1-54210A	Set Screw M6 x 10 Hex Socket	
18	1	EAM0154G58A	Pulley DP=2" Hole D 5/8"	
19	1	1-24477A	Wave Washer 19 mm ID	
20	4	1-11733	Nut M8	
21	8	1-10041	Washer, Plain M8	
22	4	1-3048	Lock Washer	
23	4	1-32601	Screw M8 x 20	
24	1	EAK0279G66A	Belt Tightener Kit	

Pedal Assembly used from February 2012 (T51BFxxx) - September 2013 (T51JGxxx)

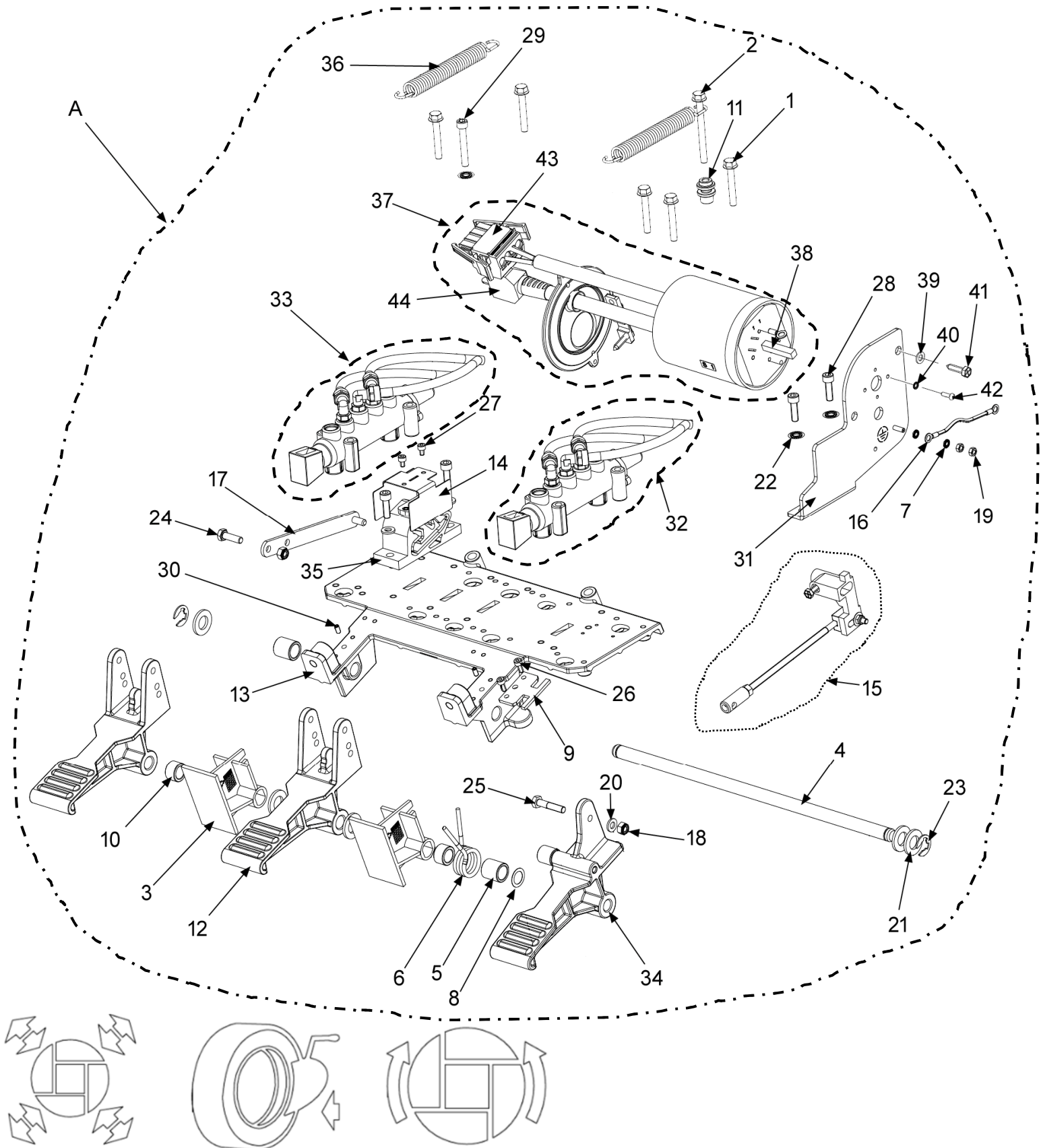


Pedal Assembly used from October 2013 (T51KGxxx) - March 2018 (T51CMxxx)



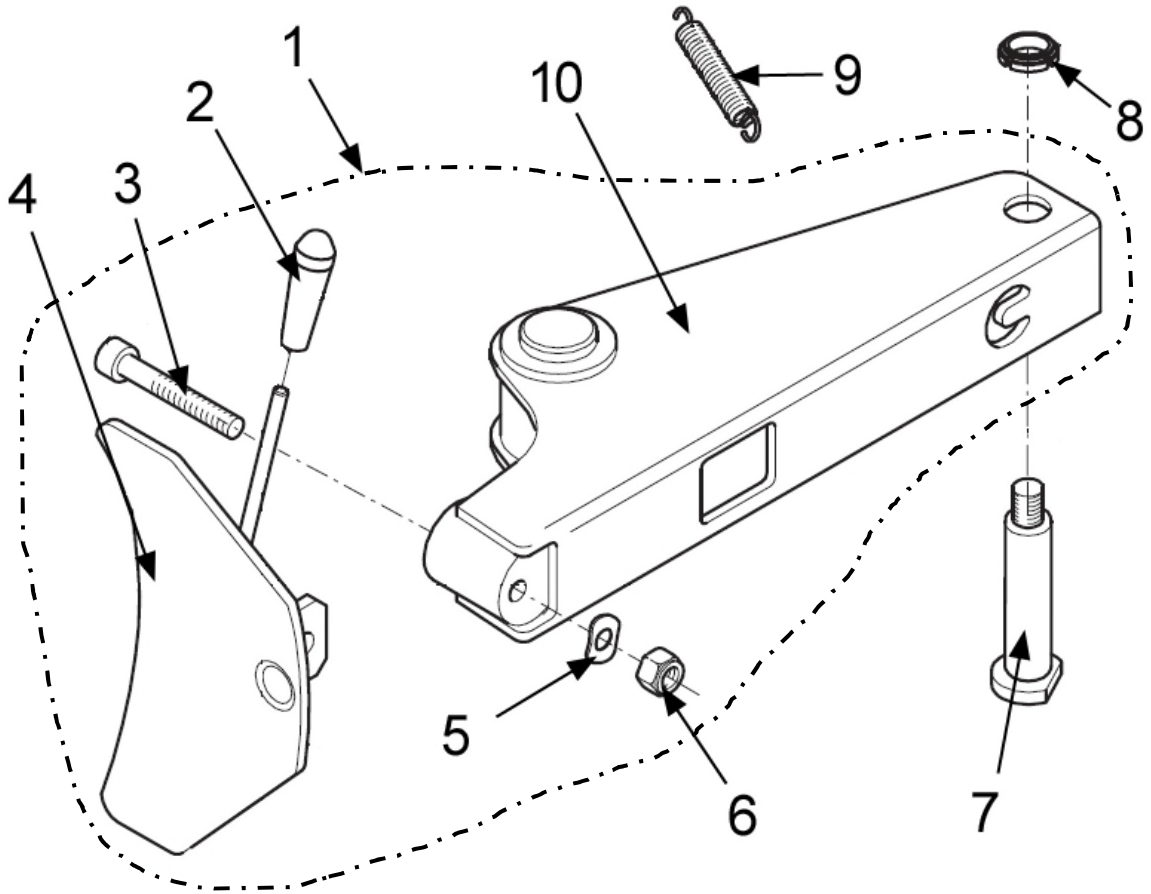
Ref	Qty	Part Number	Description	
2	1	EAM0068G80A	Pedal Asm Support - Machined	
3	1	EAM0068G10A	Shaft - Hinge Pedal	
4	1	EAA0356G93A	Left Switch Foot Pedal	
5	2	EAM0048G79A	Bushing Centering Spring	
6	1	EAM0103G96A	Commutator Spring Guide Left Version	
7	1	EAM0048G78A	Spring, Pedal Switch	
8	1	EAA0440G87A	Bead Breaker Valve and hoses	
	1	EAA0356G94A	Bead Breaker Valve	
9	2	EAM0068G95A	Standard Pedal Machined	
10	2	EAM0147G64A	Spring Recall Pedals	
11	1	EAC0103G56A	Cam Pedal	EAC0099G29A
12	1	EAS2115G09A	Protection Sheet For Cam	
13	2	EAM0070G46A	Spacer L=11 mm Centering Spring	
14	2	EAC0096G11A	Spacer - Pedal	
15	1	EAS2111G73A	Rod Positioner Pedal	
16	1	EAA0394G83A	Left Switch Support Asm	
17	1	EAA0410G66A	Left Rod Reversing Switch	
19	1	2-16759A	1 PH Rotary Switch	4030044
21	1	EAK0279G39A	Nuts / Screws For Foot Pedal Asm	
22	1	EAW0276G32A	Cable with CSA Plug	ST0015571
23	1	EAA0440G88A	Turntable Valve and Hoses	
	1	EAA0356G94A	Turntable Valve	
24	1	ST4017395	Reversing Switch Monoph + Cab	
25	1	EAA0370G95A	Foot Pedal Asm 3P 1Ph 115V (US) L	
26	1	EAA0394G37A	Assy Reversing Switch 1 Ph US (L)	EAA0371G93A
27	2	1-27406A	Screw PHMS M3 x 10	
28	2	1-24223A	Screw Self-thread	
29	2	1-9741	Washer Plain D 5	
30	2	1-1248	Washer Shake Proof M3	

Pedal Assembly used from April 2018 (T51DMxxx) - Present

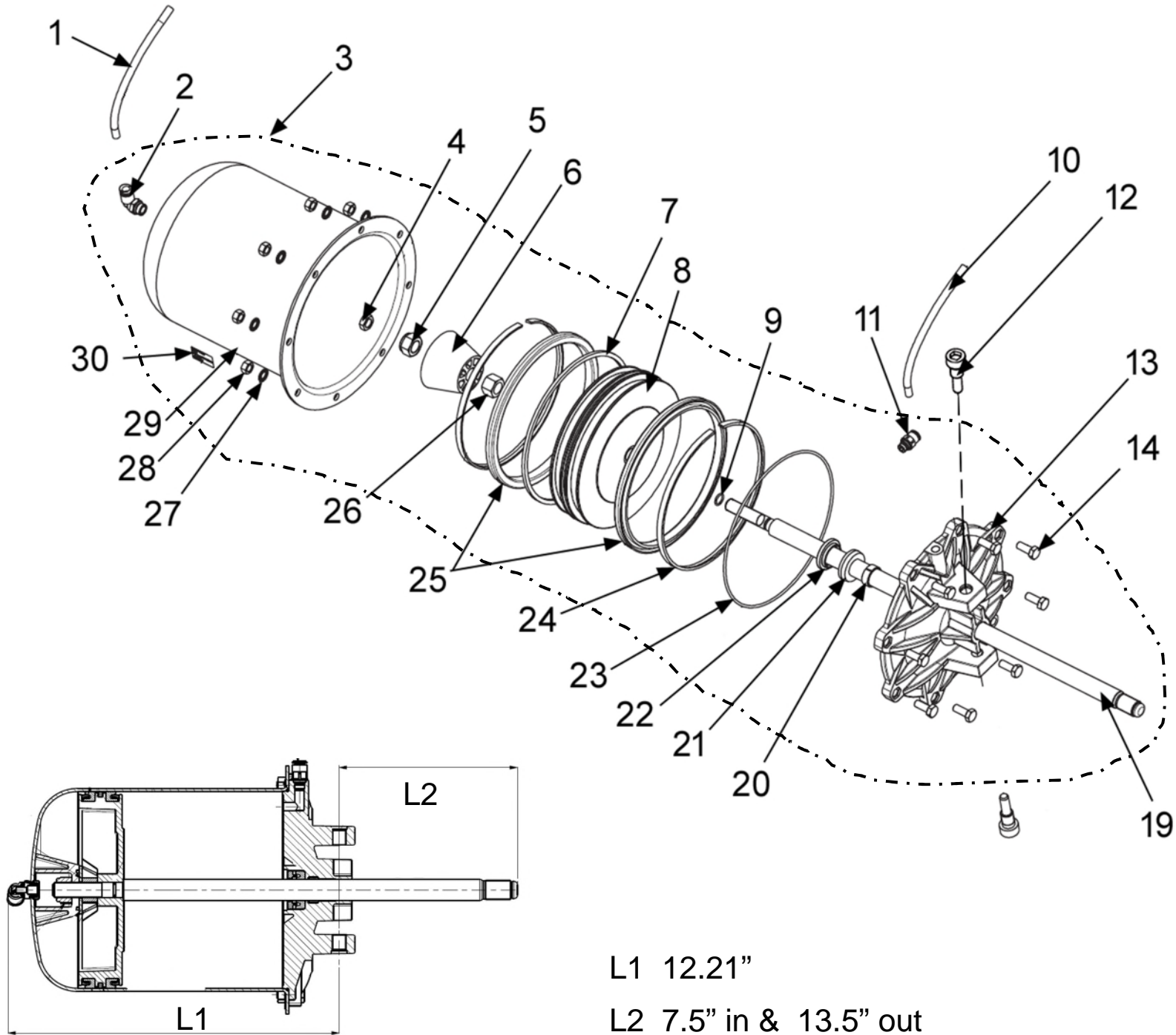


Ref	Qty	Part Number	Description
A	1	EAA0372G43A	Complete Pedal Assembly
1	5	1-12626A	Screw Hex Flange Head M6 x 40 mm
2	2	1-12726A	Screw Hex Flange Head M6 x 65 mm
3	2	EAC0096G11A	Spacer - Pedal
4	1	EAM0068G10A	Shaft - Hinge Pedal
5	2	EAM0048G79A	Bushing Centering Spring
6	1	EAM0048G78A	Spring, Pedal Switch
7	2	1-5547	Beveled Serrated Washer
8	1	1-25241A	Shim Ring 12.2 x 18 x 0.3 mm
9	1	EAM0070G32A	Commutator Spring Guide
10	2	EAM0070G46A	Spacer L=11 mm Centering Spring
11	2	EAC0099G82A	Spring Fixing Pawl
12	2	EAM0068G95A	Standard Pedal Machined
13	1	EAM0068G80A	Pedal Assembly Support - Machined
14	1	EAS2115G09A	Protection Sheet For Cam
15	1	EAA0347G61A	Rod Register Switch
16	1	EAA0357G73A	Cable, Earth
17	1	EAS2111G73A	Rod Positioner Pedal
18	2	1-9933	Nut, Prevailing Torque M6
19	2	1-15833A	Hex Nut M4 Brass
20	3	1-9841	Washer, Plain D 6 Zinc
21	5	1-10241A	Washer, Iso 7089 (Din 125.1)
22	3	1-1548	Washer, Ext. Shakeproof D 6
23	2	1-18477A	Retaining Ring 10 x 1.2 mm
24	1	1-14801A	Screw Hex Head Machine M6 x 20
25	1	1-50201A	Screw Hex Head Machine
26	2	1-13409	Screw Hex Socket Cap Head, M4 x 10
27	2	1-46809	Screw - Hshc M4 x 6
28	4	1-16409	Screw - Hex Socket Head Cap Din 912
29	1	1-56209A	Screw Hex Socket Head M6 x 40
30	2	1-38910	Screw M4 x 8 Set Cup Zp

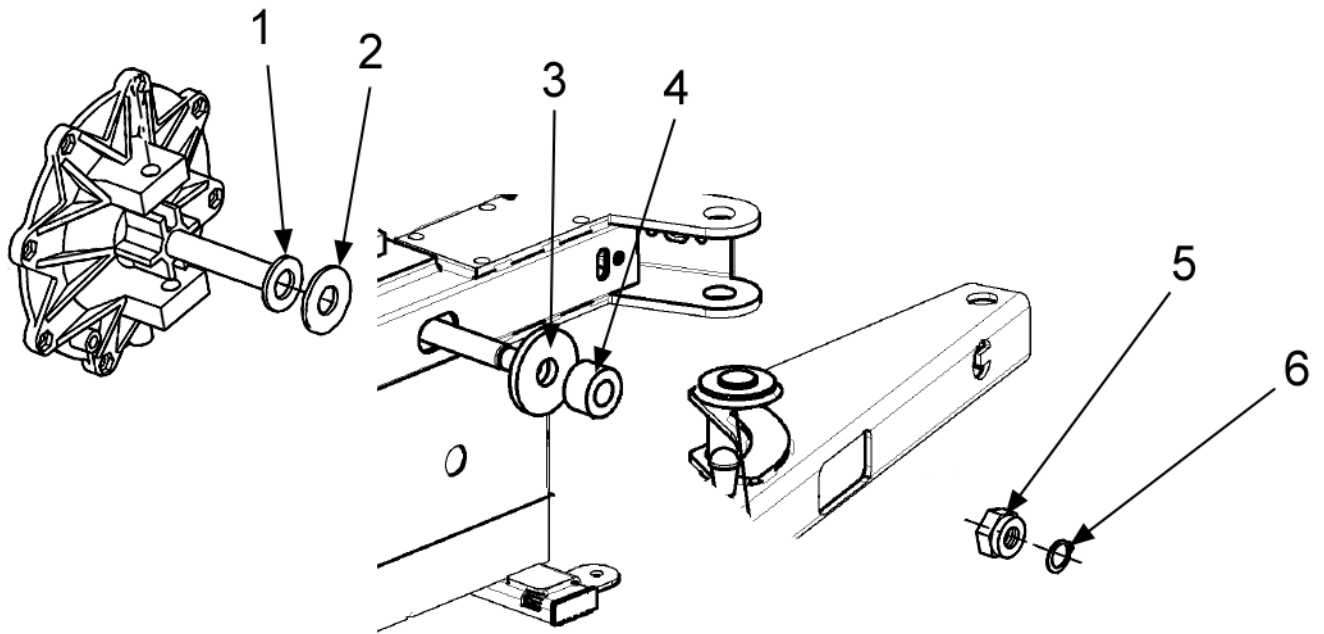
Ref	Qty	Part Number	Description
31	1	EAA0394G62A	1S Switch Support Asm
32	1	EAA0440G87A	Bead Breaker Pedal Hoses With Valve
	1	EAA0356G94A	Bead Breaker Valve
33	1	EAA0440G88A	Turntable Pedal Hoses With Valve
	1	EAA0356G94A	Turntable Valve
34	1	EAA0536G27A	Right Switch Foot Pedal
35	1	EAC0103G56A	Foot Pedal Cam
36	2	EAM0147G64A	Spring Recall Pedals
37	1	EAA0394G36A	115V 1 Phase Switch Assembly US
38	1	2-16759A	1 Phase Rotary Switch 4030044
39	2	1-9741	Washer Plain D 5
40	2	1-1248	Washer Shake Proof M3
41	2	1-24223A	Screw Self-thread
42	2	1-27406A	Screw PHMS M3 x 10
43	1	EAW0277G09A	Pedal Switch Motor Cable
44	1	EAW0276G32A	Cable with CSA Plug



Ref	Qty	Part Number	Description
1	1	EAA0338G45A	Bead Breaker Arm Assembly
2	1	EAC0078G04A	Handle
3	1	1-22609	Screw Hex Socket M14 x 10
4	1	ST4021305	Blade Bead - Breaker
5	1	ST7021329	Washer 14 mm
6	1	ST7020409	Nut - S Lock, Low M14
7	1	EAM0086G16A	Pin Bead Breaker Arm
8	1	1-02138A	Nut Ring M20
9	1	EAM0067G69A	Spring - Recall Arm, Bead Breaker
10	1	ST4025141	Arm, Bead Breaker

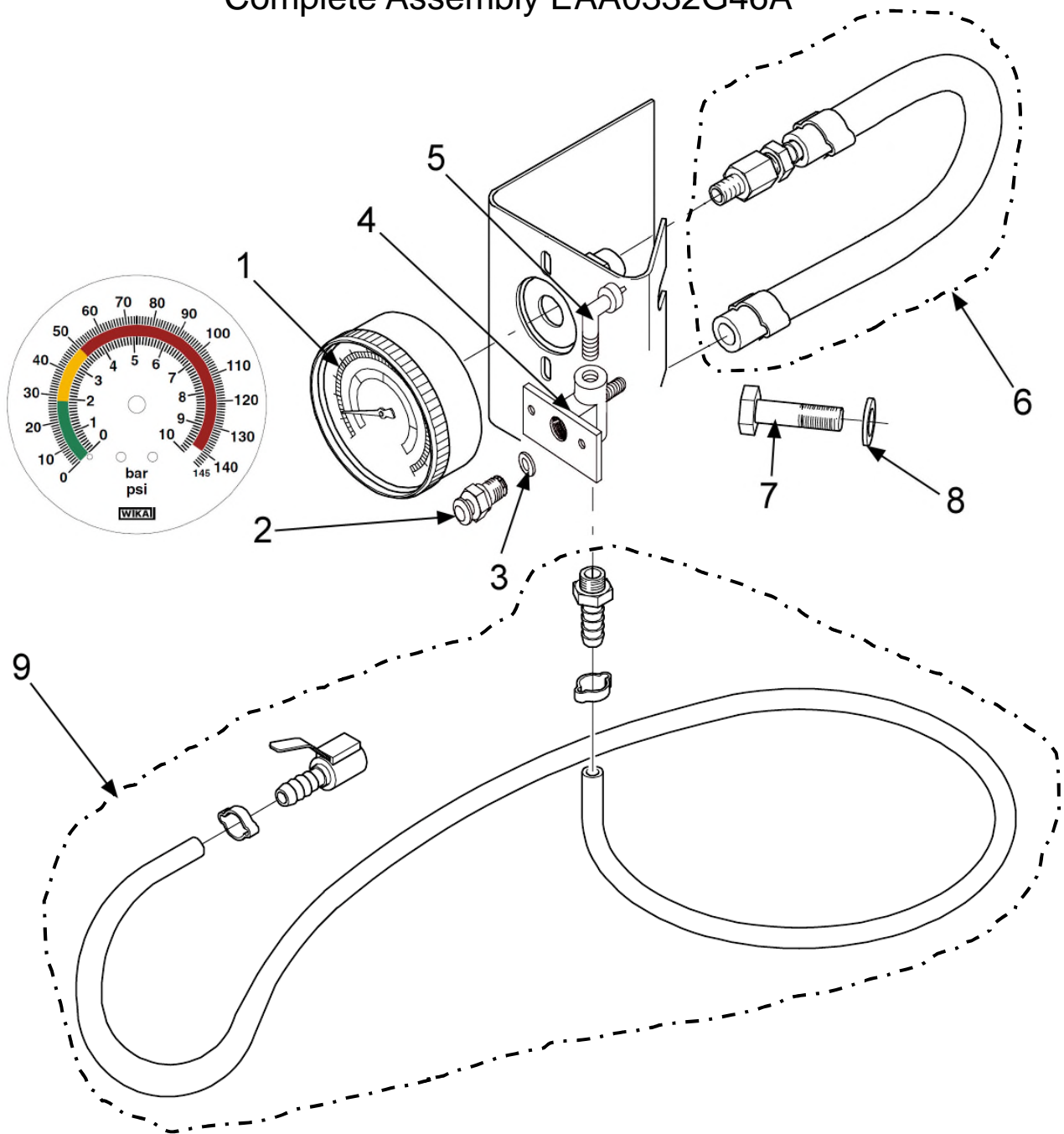


Ref	Qty	Part Number	Description	
1	mr	5-06335A	Hose - Air 6 x 8 sold by the meter	EAM0069G97A
2	1	1-20179A	Fitting "L" 6 x 8	
3	1	EAA0329G51A	Cylinder, Bead Breaker	
4	1	1-16433A	Nut 1/4" x 0.25"	
5	1	ST7020409	Nut - S Lock, Low - M14	1-10433
6	1	EAM0048G04A	Limit Switch Rubber Pad	
7	1	ST0010597	Ring - Plastic	EAC0078G35A
8	1	ST0009279	Piston	EAC0094G40A
9	1	8-18314A	Seal - O-Ring D 11	
10	mr	5-06335A	Hose - Air 6 x 8 sold by the meter	EAM0069G97A
11	1	ST0001924	Fitting 1/8" 6 x 8	1-11379A
12	1	EAM0067G34A	Screw, Fitting - Cylinder B/Break	
13	1	ST0013409	End Cap - Cylinder / Bead Breaker	EAC0078G36A
14	8	1-32601	Screw M8 x 20	
19	1	EAM0048G06A	Rod Bead - Breaker Cylinder	
20	1	ST0024686	Ring For Rod Guide D 20	EAC0078G18A
21	1	ST0001683	Seal, Lip ID 20 OD 36 Th. 8 On Shaft	8-09614
22	1	ST0001684	Retainer - Seal D 20	EAC0078G10A
23	1	8-10014A	O-Ring ID 183.82 x 2.62	
24	2	ST0001470	Ring - Piston, Bead Breaker	EAC0078G34A
25	2	ST0001415	Seal - Lip N D 184	8-10114A
26	1	1-20433A1	Nut - Lock M14 6S White Zinc	
27	8	1-1748	Washer Shakeproof D 8	
28	8	1-11733	Nut M8	
29	1	EAS2068G62A	Cylinder Chamber	
30	1	EAL0383G03A	Plate Cylinder D.E.	
NS	1	EAK0306G19A	Cylinder Seal Kit includes items #9, 15, 18, 20, 21, 22, 23, 24, 25	



Ref	Qty	Part Number	Description
1	1	EAM0075G25A	Washer, Felt
2	1	EAM0075G26A	Washer, Black Plastic
3	1	4422	Spacer Bead Breaker
4	1	EAC0097G51A	Washer - Shock Absorber
5	1	1-20933A	Nut (Lock) M18 - 1.5
6	1	1-3977	Retaining Ring

Complete Assembly EAA0332G46A



Ref	Qty	Part Number	Description
1	1	8-06820A	Gauge - Air BAR / PSI
2	1	EAA0328G57A	Bleeder Valve
3	1	EAM0043G64A	Washer, Bleeder Valve
4	1	EAC0078G59A	Body Bleeder Valve
5	1	1-11479A	Fitting - L 6 x 8 1/8
6	1	EAH0049G12A	Hose - Gauge Fitting
7	2	1-32501A	Screw 8 x 16
8	2	1-10041	Washer, Plain M8



Notice: The information contained in this document is subject to change without notice. Hofmann makes no warranty with regard to this material. Hofmann shall not be liable for errors contained herein or for incidental consequential damages in connection with furnishings, performance, or use of this material.

309 Exchange Ave
Conway, AR 72032
501-450-1500

Monty 1575 Spare Parts List

Monty1575B_TS

DSS

02/2025